

# LDB data sheet

## The universal railway torque wrench

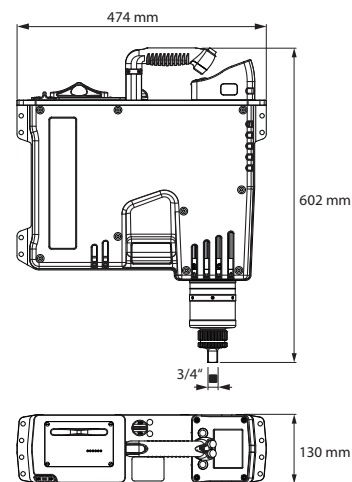


### Innovative. Lightweight.

- » Lightweight & compact for 1-man operation at just 17.2 kg
- » Screwing is horizontal and vertical possible (variable handles)
- » No exhaust and emission with 0.0g-CO<sub>2</sub>-footprint
- » For all types of rail track systems
- » High power for maximum flexibility with 16 kW (22 HP)
- » High bolting precision
- » Reliably prevents concrete sleepers from being damaged
- » Wide range of accessories
- » Logs all bolt connections (LB.TRACK optional)

### Technical data

Torque range	150 - 1.000 Nm
Idle-speed max.	ca. 160 U/min
Engine power max.	16 kW
Square drive	3/4" (DIN 3120)
Weight	17,2 kg
Dimension (LxBxH)	474 x 130 x 602 mm
Protection insulation	IP54 (DIN 40050)
Noise emissions	< 80 dB (A) (continuous sound pressure level in accordance with DIN 45635)
Display	2,2" colour display with protection screen
Control	Two push buttons with scroll wheel



Awarded with the

**COMPETENCE PRIZE**  
BADEN-WÜRTTEMBERG  
FOR INNOVATION AND QUALITY  
2015

Watch our  
LDB-video -  
see for yourself!

## Charger with mains cable

Input voltage	100 - 260 V / 45 - 70 Hz
Output voltage	48 V DC / 1,6 A
Performance	100 W
Connector plug	IEC C14
Weight	1,35 kg
Dimension (LxBxH)	218 x 121 x 55 mm
Protective insulation	protection class I (DIN EN 61140)
Charging time	approx. 4,6 h



## Quick charger

Input voltage	90 - 260 V AC
Output voltage	48 V DC / 4,3 A
Performance	260 W
Connector plug	IEC C14
Weight	1,68 kg
Dimension (LxBxH)	397 x 165 x 155 mm
Protective insulation	protection class I (DIN EN 61140)
Charging time	approx. 1,8 h



## Li-Ion phosphate-based battery

Voltage	48 V DC
Nominal capacity	12,5 Ah
Weight	4,6 kg
Dimension (LxBxH)	178 x 130 x 337

