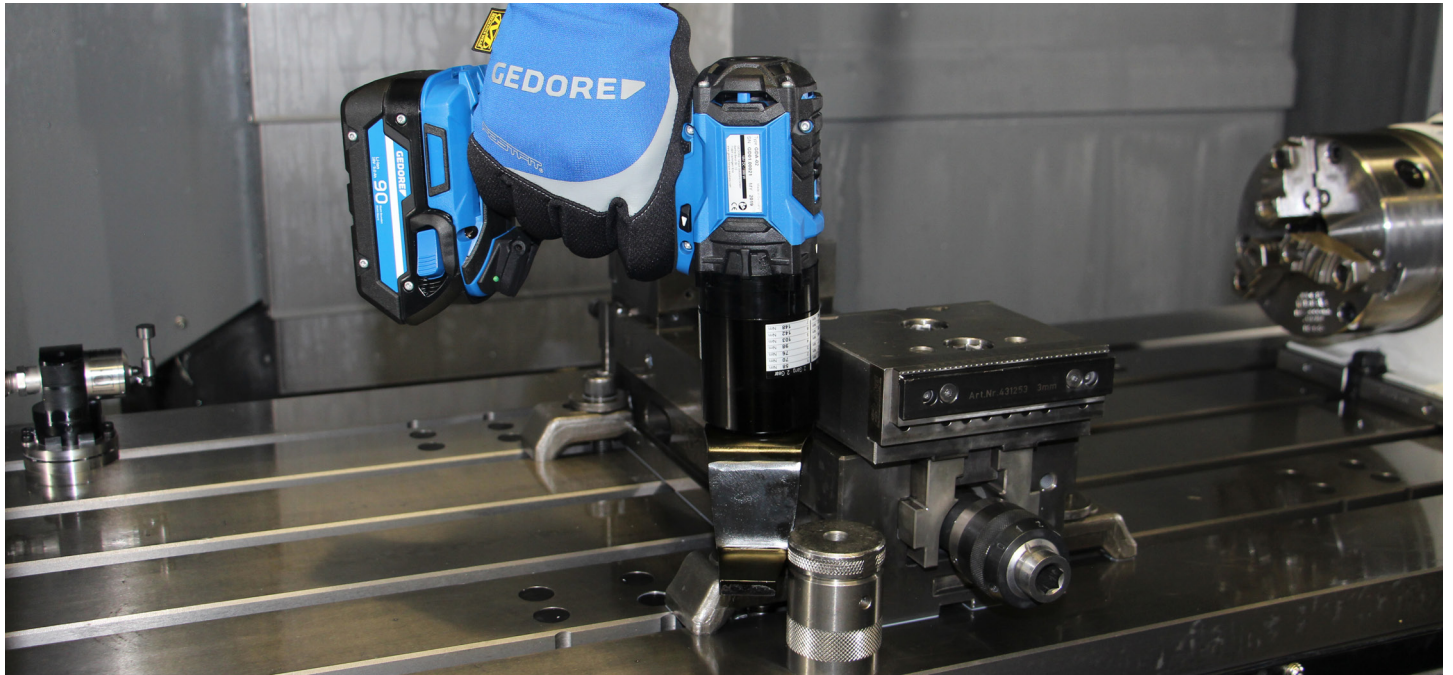


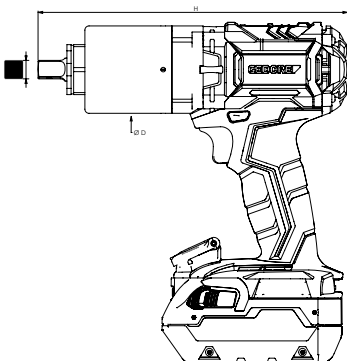
Cordless Torque Wrench For Assembly GDA data sheet our Smallest 60 - 200 Nm



Flexible. The solution for small bolting cases.

- » Brushless Technology – low-maintenance and modern control system
- » High performance and constant torque, thanks to strong battery and microprocessor electronics
- » Consistent excellence until complete battery discharge
- » Higher accident prevention through wireless drive on battery
- » Flexible use through various model series with straight and angled drive
- » Automatic shut-off when reaching the torque with relaxation of the reaction arm
- » Repeat accuracy +/- 3%
- » Ergonomic grip for safe working

Technical Data



Type	N-m min ^{*1} /max ^{*2}	~ U/min	■	Ø D mm	H mm	kg ^{*3}
GDA	60 - 200	54	1/2"	63	221	2.9

^{*1}Lowest torque in 2nd gear ^{*2}Maximum torque in 1st gear, optional up to 300 Nm ^{*3}Without reaction arm with battery Battery: 740g
Vibration is less than 2.5 m/s² The continuous sound pressure as per DIN 455635 is < 80 dB(A)
Further torque ranges can be found with our LDA series high-torque screwdrivers or on request.
All rights reserved. Subject to modifications without prior notice.